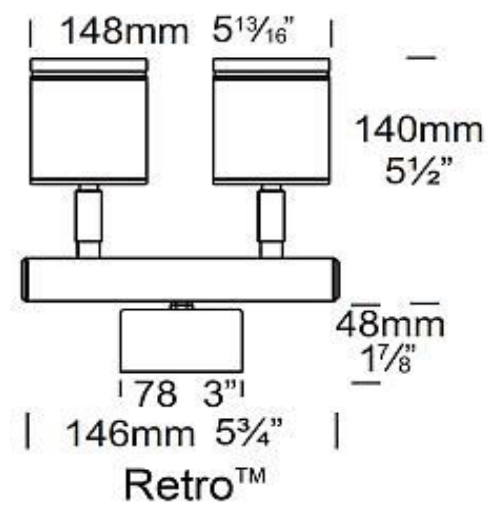
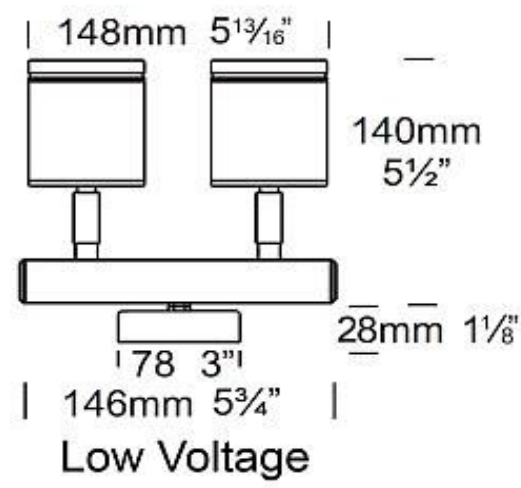


# Twin Wall Spot PURE LED

Cat. No. TWS/L



PURE LED  
Pure Performance



## UK & European Specification

The Twin Wall Spot Pure LED is a wall-mounted luminaire with two fully adjustable heads, each allowing 360 degree rotation and 0 - 90 degree elevation. This luminaire has been designed to be mounted on walls and provide directional light for pathways and structural elements of a building.

This luminaire is machined from a choice of 10mm solid aluminium with a UV stable powder coated finish, solid copper or 316 stainless steel with a clear, tempered, flush glass lens and high temperature silicon gaskets.

The Hunza PURE LED system uses Cree MTG-2 chips for maximum performance and long life. Power supply options include a choice of integral 12 or 110/240 volt (Retro) drivers. There is also an external remote (series connection) driver option. The PURE LED system incorporates Hunza's innovative Plug-and-Play system for easy replacement of upgrade of either the LED engine or integral driver.

\*At 700mA this fitting is the equivalent of a 35w halogen fitting.  
\*At 1050mA this fitting is the equivalent of a 50w halogen fitting.

## Ordering Information

Luminaire	Driver mA	Beam Angle	Colour Temp	Material/Finish
TWS/L	S - Series	15 - 15° TIR Lens	2 - 2700K	BK - Black
	D7 - 12v 700mA	25 - 25° TIR Lens	3 - 3000K	BZ - Bronze
	D10 - 12v 1050mA	38 - 38° TIR Lens	4 - 4000K	GRN - Green
	RE - 240v Retro	60 - 60° TIR Lens		STAR - Silver Star
	RU - 110v Retro			WH - White
				WB - White Birch
				DG - Dark Grey
				OG - Olive Green
				RG - Beige
				PR - Primrose
				COP - Copper
				SS - 316 Stainless

Example: **TWS/L S 15 2 CJK150 BK**

**Luminaire Construction**

**CNC machined from the following metal:**

**Aluminium:** High corrosion resistant low copper 63.5mm (2½”) x 10mm (25/64”) aluminium.  
End cap - solid aluminium 63.5mm (2½”) rod.

**Colour:** Black, Bronze, Green, Silver Star, White, Birch, Dark Grey, Olive Green, Beige, Primrose.

**Copper:** 63.5mm (2½”) x 10mm (25/64). End cap - solid copper 63.5mm (2½”) rod.

**316 Stainless Steel:** 63.5mm (2½”) x 10mm (25/64) rod. End cap - 316 stainless steel 63.5mm (2½”) rod.

**Luminaire Weight**

12 volt Alum .775kg (1lb 11oz)  
COP 2.230kg (4lb 14oz)  
SS 1.750kg (3lb 13oz)

Retro™ Alum 1.100kg (2lb 6oz)  
COP 2.650kg (5lb 13oz)  
SS 2.200kg (4lb 13oz)

**Features**

**Lens:**  
10mm (3/8”) extra clear low iron flush fit shatter resistant glass.  
Lifetime Warranty.

**Gasket:** Silicone, iron impregnated 220°C (428°F)

**Accessories:**  
Cable Joint Kit (Cat CJK150)  
Frosted Lens (Cat. LENSSTEPF)  
Glare Guard (Cat. GG)  
Hex Cell Louvre Adaptor (Cat. HCL)  
Wall Box Adaptor (Cat. WBAP)

**Swivel:**  
Aluminium and Copper luminaires- 360° rotation and 0 - 90° elevation, solid brass with anti rust spring.  
Stainless Steel luminaires - 360° rotation and 0 - 90° elevation, full stainless steel construction.

**Mounting:**  
12 volt: the luminaire is mounted to the wall using two 316 stainless screws through a shallow base 16mm (5/8”) in depth.

Retro™ luminaire (110/240-12 volt): a mounting plate is fixed to the wall using two screws and then the luminaire is fitted to the mounting plate.

**Technical Information**

**Standards**  
AS/NZS61046  
IP66 UL1838

**LED**  
Cree MTG-2 Plug and Play, field replaceable LED board.

**Lumen Output:** 600 at 1050mA  
**Lumens Per watt:** 100 at 6 watts  
**CRI Warm White (3000k):** 85+  
**Colour Temp:** 2700K, 3000K and 4000K

**Power Supply**

**Series (External) Driver**  
Constant current driver  
Output: 6vdc at 1050mA maximum

**Integral 12 Volt Driver**  
Hunza™ Plug and Play Driver  
Input: 12vac, 7 watt total  
Output: 6vdc  
1050mA

**Transformer**  
Hunza™ Wall Mount Transformer for use with integral 12 volt driver

**Retro 110/240 Volt Driver**  
Hunza™ Retro Driver  
Input: 120/240vac, 5 watt total  
Output: 6vdc, 700mA  
0-10 volt dimming

**Reflector Beam Angles**

